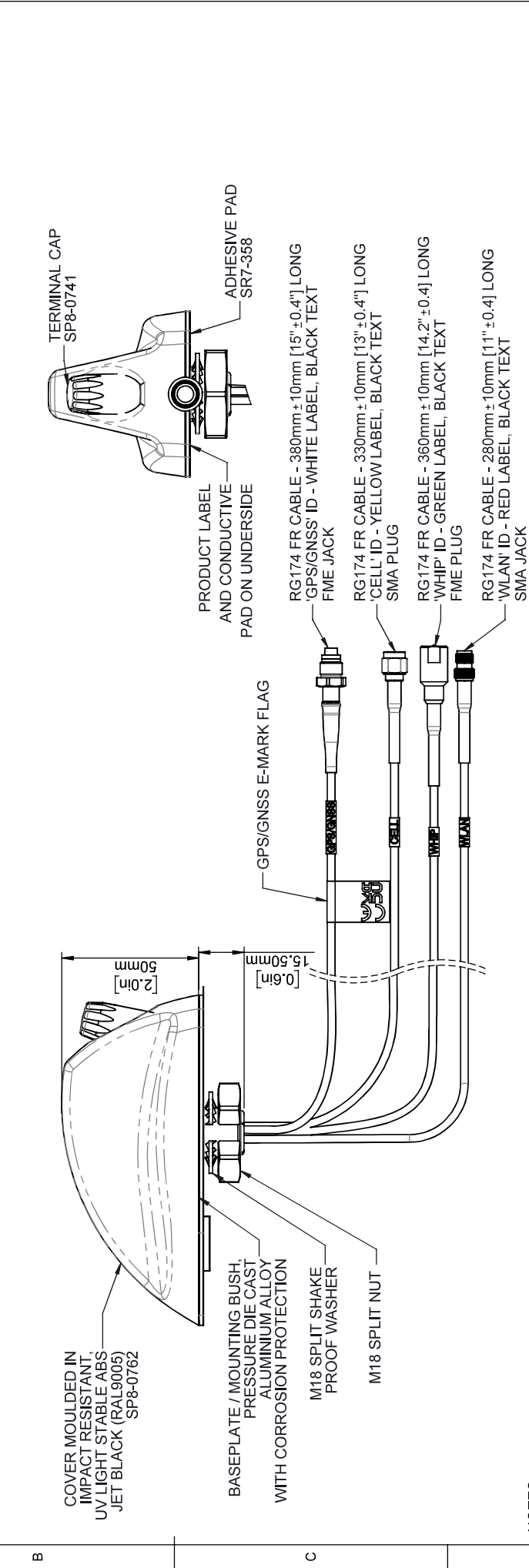
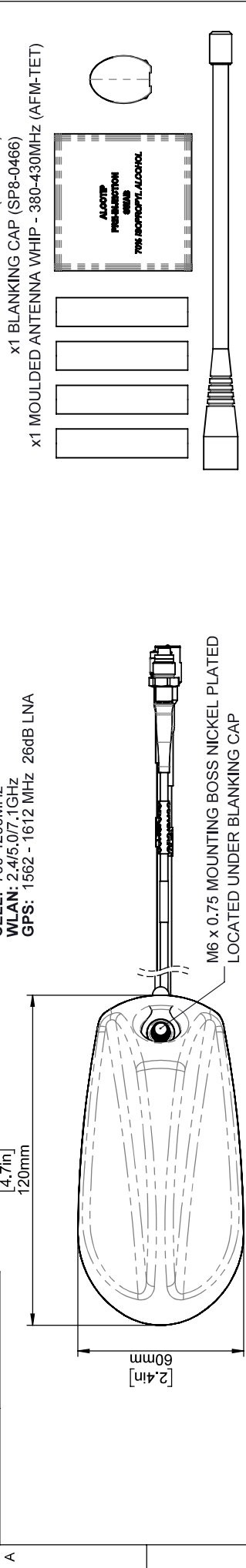


TOLERANCES UNLESS OTHERWISE STATED

0 DEC. PLACE	+0.5	2 DEC. PLACES	±0.1
1 DEC. PLACE	+0.2	ANGULAR	±1°



NOTES:

- SAMPLES MUST BE APPROVED BY PANORAMA ANTENNAS Q.C. BEFORE COMMENCING PRODUCTION.
- ALL MATERIALS SUPPLIED MUST BE ROHS3 (DIRECTIVE (EU) 2015/863) COMPLIANT AND MUST NOT CONTAIN ANY SUBSTANCES OF VERY HIGH CONCERN (SVHCs) LISTED UNDER REACH OR POLY-AROMATIC HYDROCARBONS (PAHs), OR PERSISTENT ORGANIC POLLUTANTS (POPs) CONTROLLED BY THE STOCKHOLM CONVENTION.

PCN	REV.	DATE	DESCRIPTION	DRN WEIGHT 210(NET)g	SHEET 1 OF 1
01019	1	22-Apr-24	PRODUCTION ISSUE		

APPROVED	JJ	BO/CHECK	RK	SCALE	1:2	DIMENSIONS IN mm

PRODUCT/ASSEMBLY
1013 - PANEL MOUNT ANTENNAS

DESCRIPTION
SHARKFIN GPS/GNSS 4G/5G WLAN ANT + AFM-TET WHIP

MATERIAL
N/A

FINISH
N/A

DESCRIPTION
SHARKFIN GPS/GNSS 4G/5G WLAN ANT + AFM-TET WHIP

PANORAMA ANTENNAS